



CAN Display Module

CANbus I/O

Product Highlights

- Three digit display shows battery charge status and fault codes to the operator
- CANbus enabled
- Compact design

With its compact design, it provides three momentary switches for user specific functions and three indicator LEDs, as well as several inputs and outputs for additional switches, sensors, lights, buzzers and joystick connectivity.

General Features



- Analog inputs and switch inputs for joystick
- Three momentary switches
- Three 7 digits display
- Three LED indicators
- CANbus interface to main valve/motor control module minimizes cable wiring/size

TRIONIC
vehicle controls

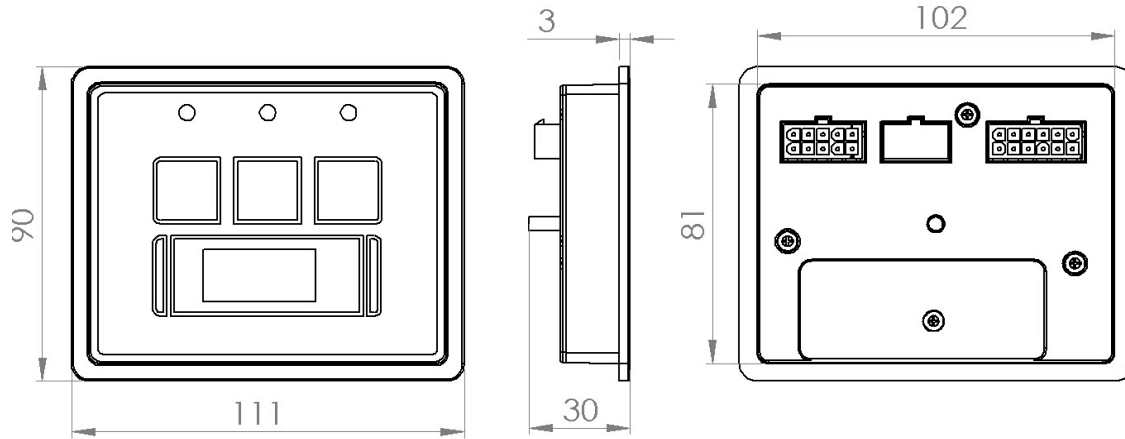
Technical Data

Power supply	12/24V		8.5 to 33 VDC
Supply Output	5V	0.15A	Supply for joysticks
Low Side Outputs	3	1 Amps	
Integrated LEDs	3		
Digital Inputs	10	1.25K Ω imp.	
Integrated input SWs	3		
Analog Inputs	2	0.5V-4.5V	joystick potentiometers
Working temperature	-40 to 60 °C		
Overall Dimensions	4.375" x 3.563" x 1.19"		W x H x D
	111 x 90 x 30 mm		



CAN Display Module

CANbus I/O



- All dimensions are in mm
- Optional front gasket. P/N 64 400 005