

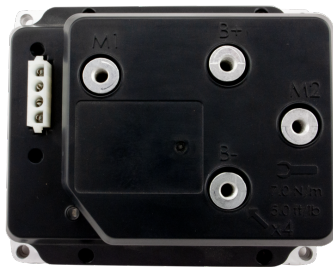


T160

Can Motor Controller

Product Highlights

- Pump Controller
- or
- H-Bridge Motor Controller



TRIONIC
vehicle controls

General Features

- 1 x 7Kw series Pump motor controller
 - CAN based
- or
- 1 x 3.8Kw brushed DC permanent magnet motor controller

Technical Data

Power supply	24V (16 to 33 Vdc)	Under and Over voltage shutdown Reverse battery protected
Pump current	300A*	1 min.
PWM Frequency	15 KHz	
Water proof	IP65	
Ambient working temperature	-40 to +50°C	Controller must be mounted to vehicle frame to provide heatsink
Overall dimensions	5.4" x 4.6" x 2.6" 135 x 115 x 63.7 mm	L x W x H

* Can be used as H-Bridge permanent magnet controller

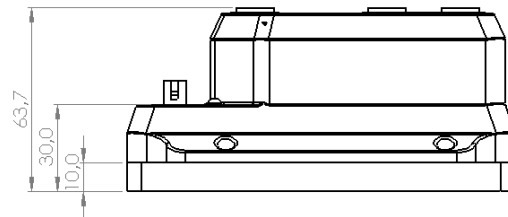
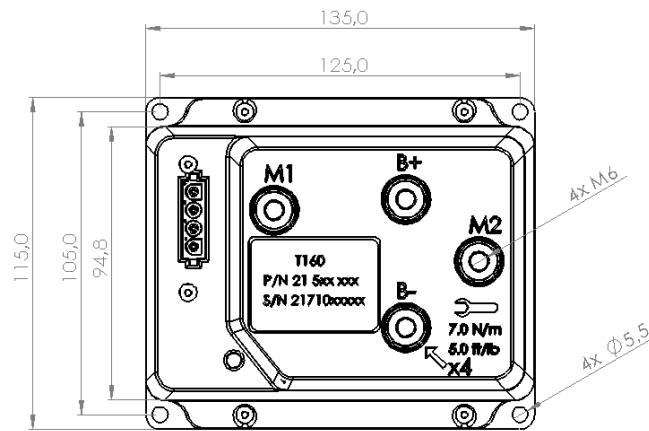


T160

Can Motor Controller

Dimensions

All dimensions ± 0.1



Electrical Connections

4 Way MATE-N-LOCK connector

- Pin 1 CAN H
- Pin 2 CAN L
- Pin 3 B + 24V supply CAN ID 1
- Pin 4 B + 24V supply CAN ID 2

Note: if Pin 3 and 4 are both connected, the CAN ID is 3