



TRIONIC  
vehicle controls

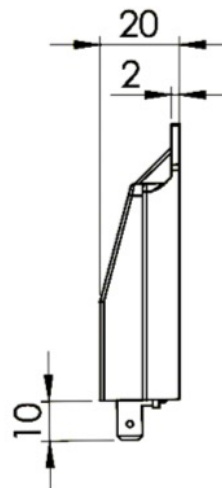
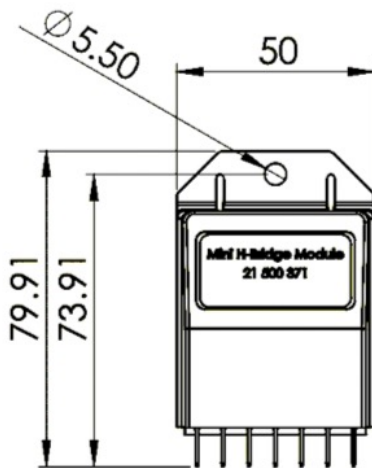
## General Features

- Full Bridge PWM control allows proportional control of a motor in both FWD or REV direction.
- Current measurement feedback
- Short circuit motor protection
- Over current & over temperature protection
- Auto CANbus baud rate sensing (50-250kbps)
- Configurable canbus NODE IDs allow for use of multiple H-Bridges in a system

## Technical Data

<b>Power Supply</b>	12/24V	(8-33V)
<b>Output Current</b>	15A/25A	50+ min/2+ min @20°C
<b>PWM Frequency</b>	100Hz	Configurable 100-200Hz
<b>Waterproof</b>	IP67	
<b>Working Temperature</b>	-40 to +60°C	
<b>Overall Dimensions</b>	3.15 x 1.97 x 0.79 in 80 x 50 x 20 mm	L x W x H

## Dimensions



## Electrical Connections

.25" spade connectors

- |       |           |
|-------|-----------|
| Pin 1 | Enable    |
| Pin 2 | B+ Supply |
| Pin 3 | M1        |
| Pin 4 | M2        |
| Pin 5 | B- Supply |
| Pin 6 | CAN Low   |
| Pin 7 | CAN High  |